

# 120A Small-sized Full-auto Aerosol Filling Line

website: [www.aerosolfill.com](http://www.aerosolfill.com)

---

## 120A Small-sized Full-auto Aerosol Filling Line

### I. Features

There are two sets of main function filling machines in this HDC-120A Aerosol Filling Machine series. It's a basic aerosol filling line that will accomplish simple aerosol filling and sealing. This aerosol assembly line is more popular to the beginner in aerosol production area.

For specific machines, there are two liquid filling machines, valve correcting machines, sealing and gas filling machines. And the filling is organized in a rotary table.

HDC 120A Aerosol Filling Machines are CE verified with branded core machinery embedded. We use Siemens PLC control and Schneider low voltage component to ensure better stability and durability.

Although it's a basic solution to offer backbone aerosol filling functions, we can make it more powerful and flexible by adding bottle arranging machine, valve inserting machine, nozzle pressing machine and capping machine. Functions can be enriched on demand.

### II. Composition and parameters

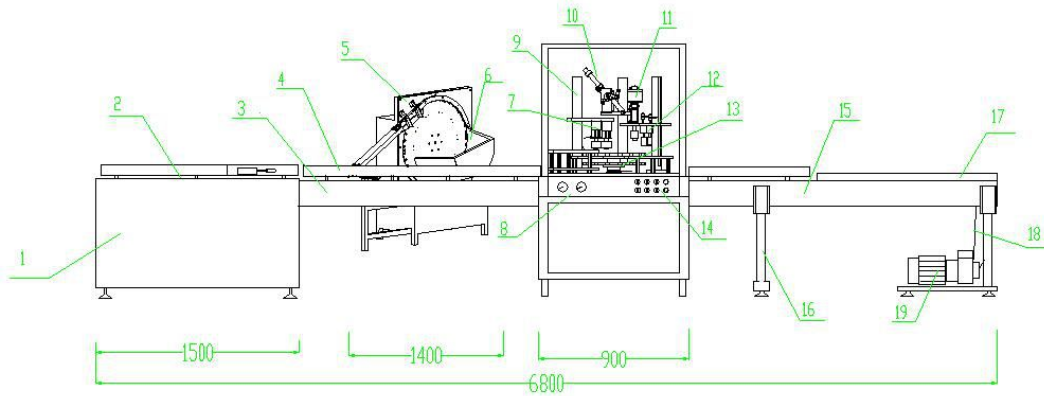
Outline (L*W*H) (mm)	6800*1800*1900
Capacity (cans/hr)	1800-2800
Liquid fill (ml)	50-1000 (customizable)
Gas fill (ml)	20-500 (customizable)
Repeated filling accuracy	0.5%
Diameter of cans (mm)	35-65 (customizable)
Height of aerosol can (mm)	80-350 (customizable)
Valve (mm)	25.4 (1 inch)
Working pressure (MPa)	0.65-1
Max. gas consumption (m <sup>3</sup> /min)	3

# 120A Small-sized Full-auto Aerosol Filling Line

website: [www.aerosolfill.com](http://www.aerosolfill.com)

## III. Basic structure and working principle

This line consists of automatic container sorting machine, automatic valve sorting machine, filling host, packaging platform and conveying rail. The automatic container sorting machine allows the aerosol cans in the stacking area to be arranged and transfers them to the main rail in order. After entering the host, aerosol cans are led via guide plate into the indexing transmission of the host and subject to equal-angled intermittent circular movement, passing filling 1, filling 2, valve feed, valve support, closing, aeration 1 and aeration 2. After filling, aerosol cans are led again via the indexing transmission of the host into the main conveyor belt until to the packing platform.



- |                             |                                 |
|-----------------------------|---------------------------------|
| 1. Container sorter;        | 11. Closing machine;            |
| 2. Container sorter bench;  | 12. Double aeration system;     |
| 3. Main transfer rail;      | 13. Indexing transfer system;   |
| 4. Transfer rail fence;     | 14. Switching control panel;    |
| 5. Automatic valve sorter;  | 15. Transfer rail;              |
| 6. Hopper of valve sorter;  | 16. Support frame;              |
| 7. Double filling system;   | 17. Packaging platform;         |
| 8. Pressure gage;           | 18. Rear support frame;         |
| 9. Lifting column;          | 19. Motor of main conveyor belt |
| 10. Automatic valve feeder; |                                 |