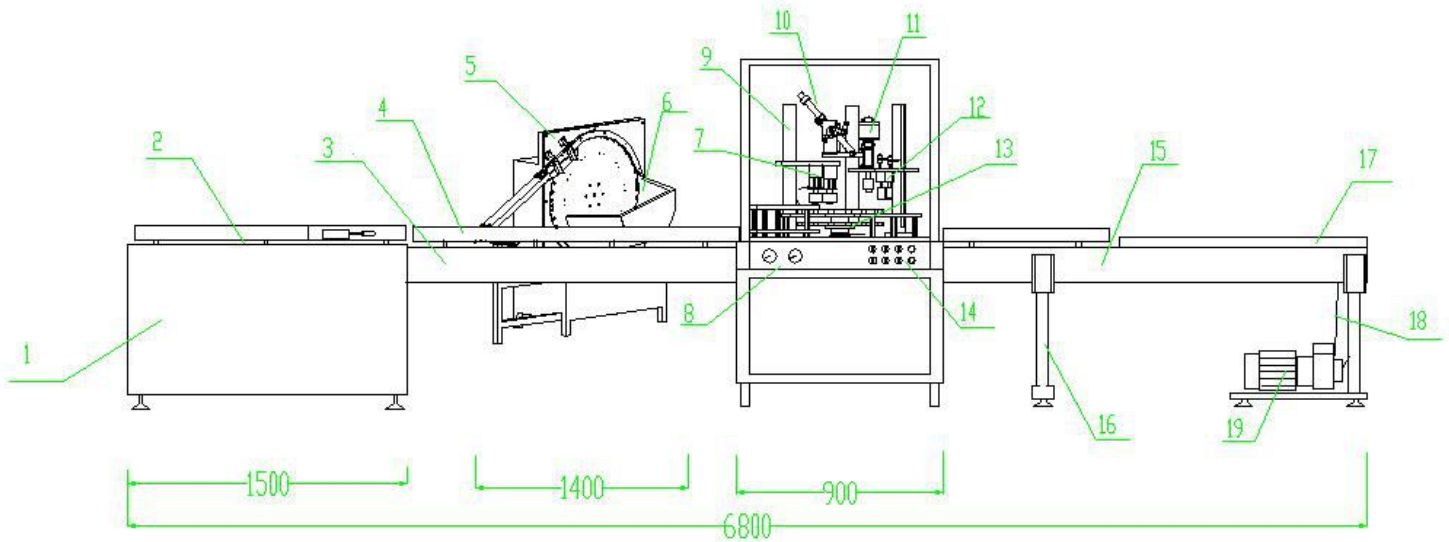


Aerosol Filling Machine Outline Drawing

website: www.aerosolfill.com



- | | |
|-----------------------------|----------------------------------|
| 1. Container sorter; | 11. Closing machine; |
| 2. Container sorter bench; | 12. Double aeration system; |
| 3. Main transfer rail; | 13. Indexing transfer system; |
| 4. Transfer rail fence; | 14. Switching control panel; |
| 5. Automatic valve sorter; | 15. Transfer rail; |
| 6. Hopper of valve sorter; | 16. Support frame; |
| 7. Double filling system; | 17. Packaging platform; |
| 8. Pressure gage; | 18. Rear support frame; |
| 9. Lifting column; | 19. Motor of main conveyer belt. |
| 10. Automatic valve feeder; | |